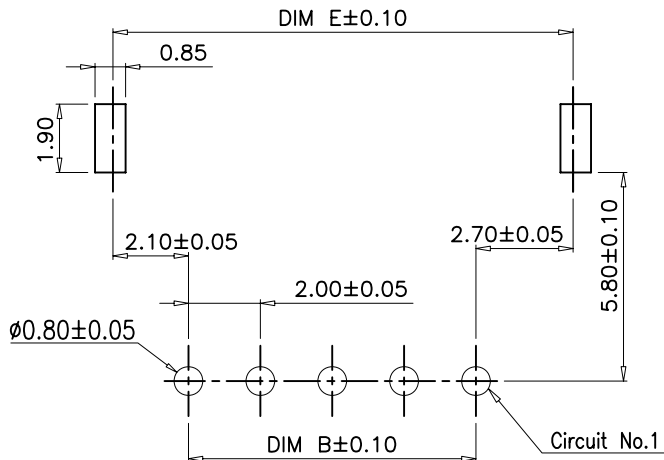
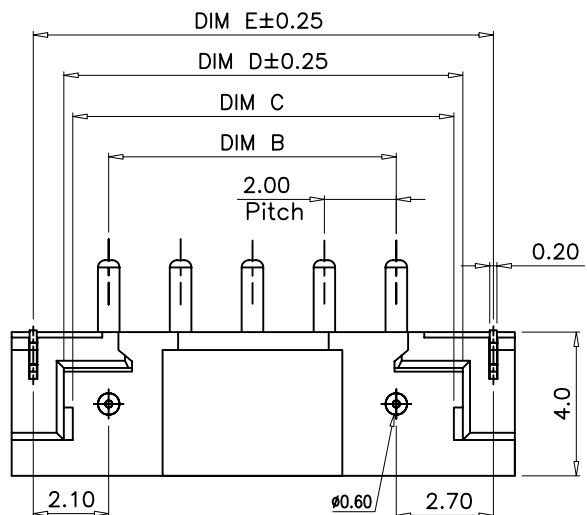




A B C D E F



RECOMMENDED PCB LAYOUT

NOTES:

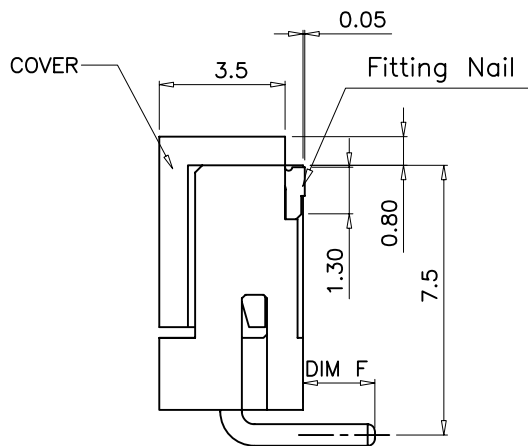
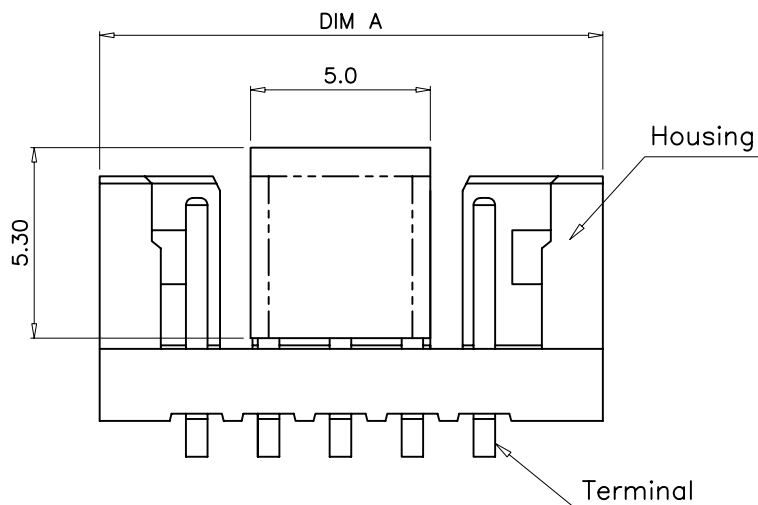
1. MATERIAL:
 - 1.1 HOUSING: THERMOPLASTIC, HIGH TEMP., UL94V-0; COLOR:BLACK.
 - 1.2 CONTACT: COPPER ALLOY
2. FINISH:
 - 2.1 CONTACT:
 - 50u" MIN. NICKEL UNDERPLATING OVER ALL,
 - L: 80~120u" MIN. PURE TIN PLATING OVER ALL.
 - 1: Gold Flash over all.
 - N: 50u" MIN MATT TIN OVERALL.
 - 2.2 FITTING NAIL:
 - 50u" MIN. NICKEL UNDERPLATING OVER ALL,
 - L: 80~120u" MIN. PURE TIN PLATING OVER ALL.
 - N: 50u" MIN MATT TIN OVERALL.
3. REFLOW SOLDER CAPABLE TO 260°C PER ACES SPEC.
4. WAVE SOLDER CAPABLE TO 260°C PER ACES SPEC.
5. SPEC. PLS. REFER TO PS-50313-xxxx-xxx
6. PACKAGE PLF REFER TO 91302-XXXX-TRP
7. PART NUMBER

50315-XXX X X-XXX

Others	Housing color	HALOGEN FREE	DIM F
001	BLACK	HF	2.0
002	BLACK	HF	1.2

NO OF CKTS
PACKING: T&R WITH COVER

PLATING :
L:PURE TIN (BRIGHT)
1:GOLD FLASH OVERALL
N:MATT TIN



CKT	Dim A	Dim B	Dim C	Dim D	Dim E
2	8.00	2.00	4.6	5.10	6.80
3	10.00	4.00	6.6	7.10	8.80
4	12.00	6.00	8.6	9.10	10.80
5	14.00	8.00	10.6	11.10	12.80
6	16.00	10.00	12.6	13.10	14.80
7	18.00	12.00	14.6	15.10	16.80
8	20.00	14.00	16.6	17.10	18.80
9	22.00	16.00	18.6	19.10	20.80
10	24.00	18.00	20.6	21.10	22.80
11	26.00	20.00	22.6	23.10	24.80
12	28.00	22.00	24.6	25.10	26.80

一般公差
TOLERANCES
X ±0.5 XX ±0.15
X ±0.25 XXX ±0.1
ANGLES ±2°

宏致電子股份有限公司
Aces Electronic Co.,Ltd.

檢驗尺寸標示
SYMBOLS Ⓢ Ⓣ INDICATE CLASSIFICATION DIMENSION
Ⓢ MARK IS CRITICAL DIM.
Ⓣ MARK IS MAJOR DIM.

品名 (TITLE)
2.0mm PITCH WTB WAFER
T/H R/A TYPE
圖號 (DWG.NO)
50315-XXXXX-XXX

製圖 (DR)
17/07/18
FUJIAN
審核 (CHKD)
BRAVE
核准 (APPD)
FRANK

表面處理 (FINISH)

比例 (SCALE)
4:1
單位 (UNITS)
mm

張數 (SHEET)
1 OF 1
SIZE
A4
REV
B

A B C D E F